

**Handling System for Hood type
Pre-wash Table with 600x500
Bowl Left to Right, 1200mm**

ITEM # _____

MODEL # _____

NAME # _____

SIS # _____

AIA # _____



865315 (BHHPT6B12L)

Prewash table with
600x500mm bowl for hood
type, l>r, 1200mm

Short Form Specification

Item No. _____

For hood type dishwashers. Constructed in 304 AISI stainless steel with backsplash mm250h. N. 2 square 40x40mm tubular legs on height-adjustable feet. Bowl size mm600x500x300h with overflow pipe and drain hole. Basket direction: from left to right.

Main Features

- Supplied knocked-down and easy to assemble.
- Plain undershelves and pre-rinse units available as optional accessories.

Construction

- Stainless steel feet 50 mm adjustable in height to ensure that tables drain back into the dishwasher.
- Included splashback to prevent water spatter.
- Deep anti-drip profiles completely folded with lower edge for safe and easy cleaning.
- All surfaces smooth with polished finish.
- 40x40 mm square tubular legs in AISI 304 stainless steel.
- 304 AISI stainless steel construction throughout.
- To be secured to the dishwasher and fitted with one pair of legs at the other end.
- Bowl size 500x400x300h with drain hole and strainer.

Sustainability

- Designed for 500x500 mm dishwashing racks (it is necessary to connect a rail to the table to avoid baskets from falling).

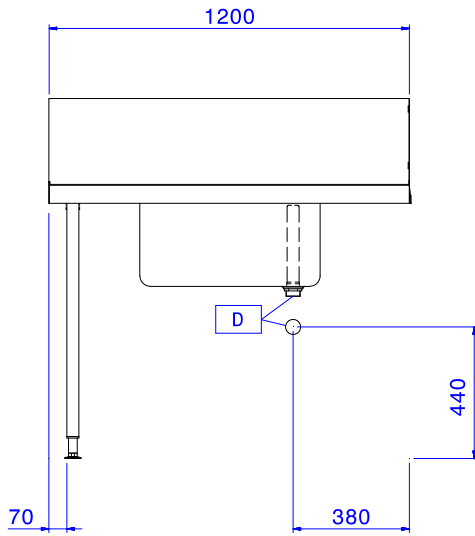
Optional Accessories

- Wall mounted mixing temperature pre-rinse unit PNC 855381
- Single hole deck mounted mixing temperature pre-rinse unit PNC 855385
- Single hole deck mounted elbow operated mixing temperature faucet with pre-rinse unit PNC 855386
- Single hole deck mounted riser add-on mixing temperature faucet with pre-rinse unit PNC 855389
- Undershelf for dishwasher table, 1200 mm PNC 865352
- Basket guide for dishwasher table with bowl 600 mm for hood type and Rack Type Dishwasher PNC 865370
- Floor fastening kit for 2 square legs PNC 865386
- Single plastic drain syphon 2" for sinks PNC 895313

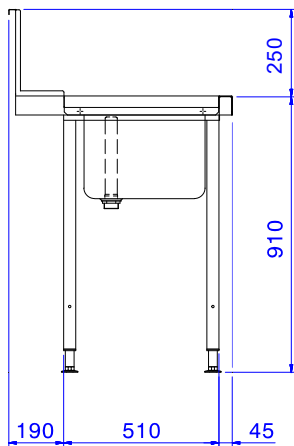
APPROVAL: _____

Handling System for Hood type Pre-wash Table with 600x500 Bowl Left to Right, 1200mm

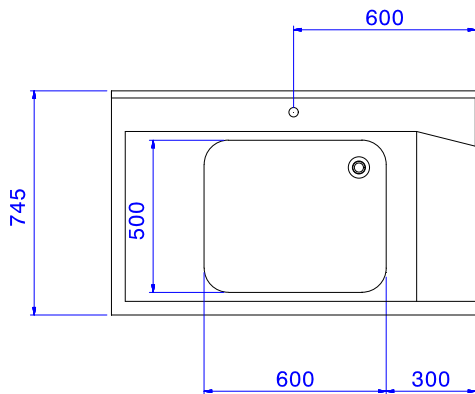
Front



Side



Top



Key Information:

| | | |
|--------------------------------|---------------------|--------------|
| External dimensions, Width: | 865315 (BHHPT6B12L) | 1200 mm |
| External dimensions, Depth: | | 745 mm |
| External dimensions, Height: | | 1170 mm |
| Net weight: | | 8 kg |
| Splashback Dimensions, Height: | | 300 mm |
| Basin dimensions: | | 600x500x300h |

Handling System for Hood type
Pre-wash Table with 600x500 Bowl Left to Right, 1200mm

The company reserves the right to make modifications to the products
without prior notice. All information correct at time of printing.